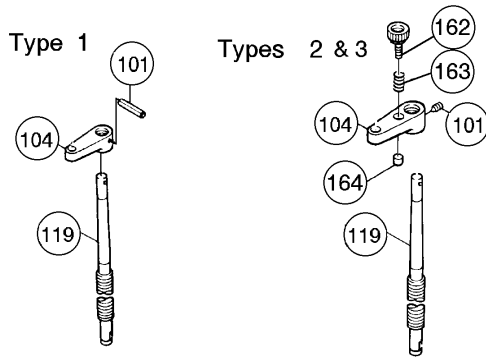


Item No.	Part No.	No. Used	Description	Item No.	Part No.	No. Used	Description
1	211106-1	1	Ball Bearing 6201LLB	55	152339-8	1	Main Frame Com.
2	253899-4	1	Flat Washer 12				(Includes Items 82 & 158)
3	524851-2	1	Field Assembly	56	922256-4	2	Hex Socket Head Bolt M5x35
			(Includes Items 22 & 31)	57	152340-3	1	Bearing Box Com.
4	514906-1	1	Armature Assembly				(Includes Item 79)
			(Includes Items 1, 2, 5 - 7)	58	912116-8	4	Countersunk Head Screw M4x12
5	241117-2	1	Fan 92	59	231779-4	1	Tension Spring 6
6	213051-6	1	Dust Seal 10	60	251445-7	1	(-) Flat Head Screw M4
7	211066-7	1	Ball Bearing 6200LLB	61	343561-0	1	Lock Plate
8	343560-2	1	Fan Guide	62	251283-7	1	(+) P.H. Screw M5
9	263002-9	1	Rubber Pin 4	63	911218-7	2	P.H. Screw M5x14 (With Washer)
10	911300-2	2	P.H. Screw M5x75	64	321205-2	1	Metal Holder
			(With Washer)(Old 911296-7)	65	214251-1	1	Plane Bearing 17
11	263002-9	1	Rubber Pin 4	66	231459-2	1	Compression Spring 13*
12	912252-0	2	Countersunk Head Screw M5x30	67	*	1	Roller 34-295
			(With Washer)	68	911218-7	2	P.H. Screw M5x14 (With Washer)
13	164907-5	1	Belt Cover	69	321205-2	1	Metal Holder
14	225066-1	1	Poly V-Belt 8-328	70	*	1	Sprocket 12
15	222112-1	1	V-Pulley 8-23.5L	71	961052-5	1	Retaining Ring S-12
16	265854-4	1	Hex Socket Head Bolt M6x12	72	231459-2	1	Compression Spring 13*
17	222113-9	1	V-Pulley 8-57.5	73	214251-1	1	Plane Bearing 17
18	911211-1	10	P.H. Screw M5x12 (With Washer)	75	251609-3	12	Hex Flange Head Bolt M6x17
19	343557-1	1	Side Plate (L)	76	*	2	Set Plate (Change both Set Plates at the same time)
20	159049-8	1	Motor Housing Com. (Includes Items 11, 150 & 151)	77	816696-5	1	Scale Label MM & Inch
21	157994-1	1	Gear Housing (Includes Items 9, 152-154)	78	254204-8	1	Key 4
22	654020-2	2	Garter Spring	79	263002-9	1	Rubber Pin 4
23	643650-4	2	Brush Holder Cap 6.5-13.5	80	211206-7	1	Ball Bearing 6202LLB
24	181047-4	2	Carbon Brush CB-154 (Old 181041-6 CB-152)	81	161112-5	1	Drum
25	681002-1	2	Insulation Washer	82	263002-9	1	Rubber Pin 4
26	150132-4	1	Switch Cover Com.	83	211206-7	1	Ball Bearing 6202LLB
27	912117-6	2	Countersunk Head Screw M4x12	84	285661-9	1	Bearing Retainer
28	911256-9	4	P.H. Screw M5x35 (With Washer)	85	912116-8	2	Countersunk Head Screw M4x12
29	652103-2	2	Hex Nut M12	86	911218-7	2	P.H. Screw M5x14
30	652014-1	1	P.H. Screw M4x8 (With Washer)	87	321205-2	1	Metal Holder
31	654502-4	2	Solderless Connector P-2	88	*	1	Sprocket 12
32	651758-0	1	Switch	89	961052-5	1	Retaining Ring S-12
33	652101-6	2	Hex Nut M12	90	231459-2	1	Compression Spring 13*
34	652061-2	2	Toothed Lock Washer 12	91	231460-7	1	Compression Spring 7
35	343558-9	1	Switch Plate	92	214251-1	1	Plane Bearing 17
36	253715-0	1	Flat Washer 6	94	*	1	Roller 34-295
37	226083-4	1	Gear Com. 8-51	95	911218-7	2	P.H. Screw M5x14 (With Washer)
38	253715-0	1	Flat Washer 6	96	321205-2	1	Metal Holder
39	253215-0	1	Flat Washer 8	97	214251-1	1	Plane Bearing 17
40	226084-2	1	Gear Complete 8-47	98	231459-2	1	Compression Spring 13*
41	253215-0	1	Flat Washer 8	99	265323-5	2	Hex Flange Head Bolt M5x10
42	157995-9	1	Gear Hsg Cover	100	164908-3	1	Chip Cover
43	911291-7	2	P.H. Screw M5x70 (With Washer)	101	*	1	Spring Pin / H.S.H. Bolt /Set Screw
44	254001-2	1	Woodruff Key 4	102	256634-9	1	Pin 8
45	253758-2	1	Flat Washer 10	103	271408-7	1	Knob 20
46	221769-5	1	Helical Gear 47	104	*	1	Handle
47	*	1	Drive Shaft	105	961012-7	1	Stop Ring E-6
48	322229-1	1	Gauge	106	911211-1	10	P.H. Screw M5x12 (With Washer)
49	253760-5	1	Flat Washer 14	107	164906-7	1	Chain Cover
50	225511-6	1	Chain 35-44	108	912252-0	2	Countersunk Head Screw M5x30 (With Washer)
51	961052-5	1	Retaining Ring S-12	109	911229-2	1	P.H. Screw M5x18 (With Washer)
52	*	1	Sprocket 12	110	257600-9	1	Sleeve 6
53		1	Sprocket 12	111	231588-1	1	Torsion Spring 9
54	922256-4	2	Hex Socket Head Bolt M5x35	112	682539-1	1	Grommet

2. Change on Handle, Screw etc.

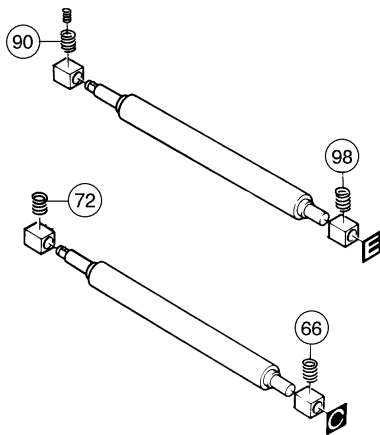


Item No.	Description	Type 1	Type 2	Type 3
101	Spring Pin /H.S.H. Bolt /Set Screw	951119-7 Spring Pin 4-24	265880-3 H.S.H. Bolt M5x8	913206-0 Set Screw M5x8
104	Handle	272022-2 Handle 100	272025-6 Handle 120	
119	Screw (R)	322227-5	322332-8 (See Service Change #4 for further changes)	
162	Knob Screw M5x16	-----	251889-1	
163	Compression Spring 7	-----	231240-1	
164	Nylon Pin 5	-----	263003-7	

Above parts are completely interchangeable as a set.

Type 2 Handle can be installed into Type 1 Screw (R) (Item 119) with Item 101(Types 2 or 3).

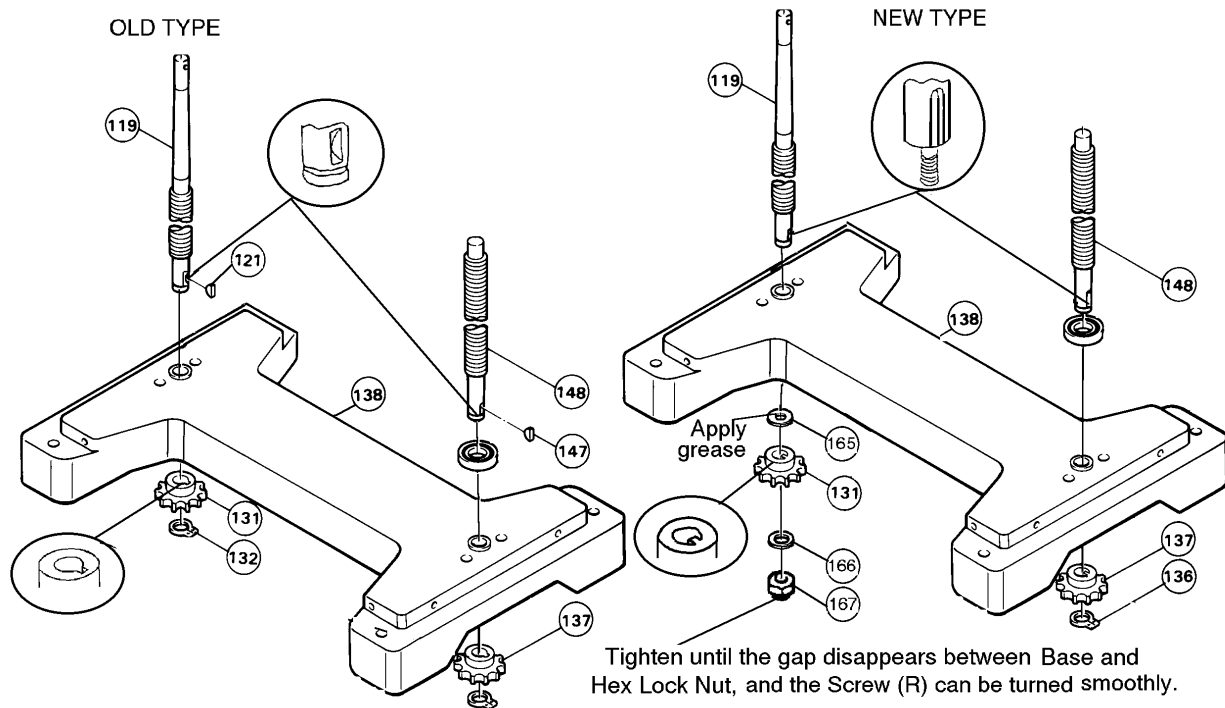
3. Springs for Narrow Workpieces.



Item No.	Description	Original Compression Spring	Compression spring for small & narrow workpieces
66	Compression Spring	231459-2	233016-2
72			
90			
98			

Above parts are completely interchangeable as a set.

4. Change on Screw (R) & (L).

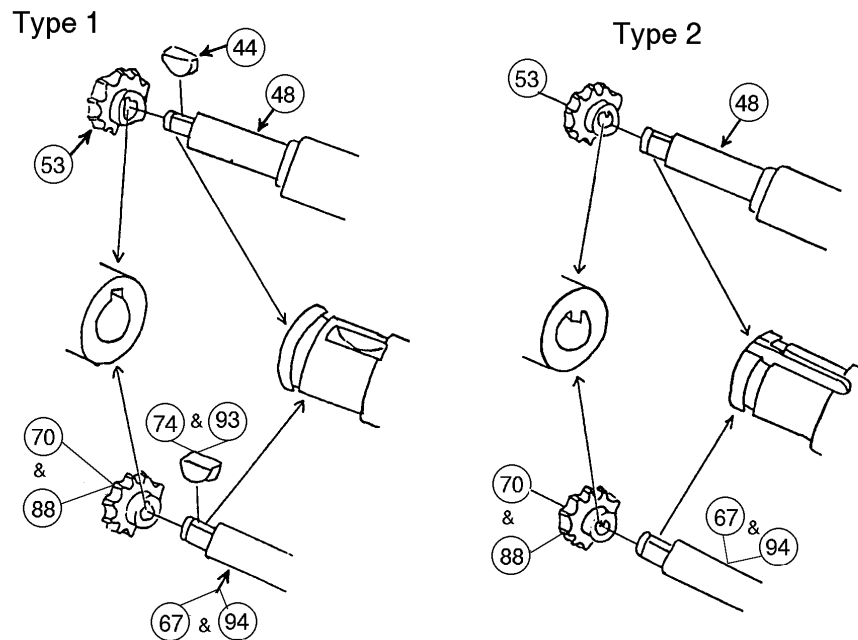


Item No.	Description	Old Type	New Type
119	Screw (R)	322332-8	322749-5
148	Screw (L)	322228-3	322750-0
121, 147	Woodruff Key 4	254001-2	-----
131, 137	Sprocket 12	221517-2	221520-3
132	Retaining Ring S-12	961052-5	-----
165	Flat Washer 12	-----	253759-0
166	Flat Washer 6	-----	253196-8
167	Hex Lock Nut M6-10	-----	252014-7
	Serial No.	~ 61905	61906 ~

Above parts are completely interchangeable as a set.

This change was designed for Screw (R) side only. If repair is made to Screw (R) side only, please refrain from making repairs to Screw (L) side parts.

5. Change on Drive Shaft, Sprocket, Woodruff Key 4, etc.



Item No.	Description	Type 1	Type 2
44	Woodruff Key 4	254001-2	-----
48	Drive Shaft	322226-7	322836-0
53	Sprocket 12	221517-2	221520-3
Above parts are completely interchangeable as themselves.			
67	Roller 34 - 295	162140-3	162186-9
70	Sprocket 12	221517-2	221520-3
74	Woodruff Key 4	254001-2	-----
Above parts are completely interchangeable as themselves.			
88	Sprocket 12	221517-2	221520-3
93	Woodruff Key 4	254001-2	-----
94	Roller 34 - 295	162140-3	162186-9
Above parts are completely interchangeable as themselves.			
	Serial No.	~ 63386E	63387E ~